

	Carson City	Las Vegas	Total
1560	3	0	3
1562	29	17	46
TOT	31	17	49

PUBLIC WORKS SECTION

	Carson City	Las Vegas	Total
1540	5	1	6

ADMINISTRATION

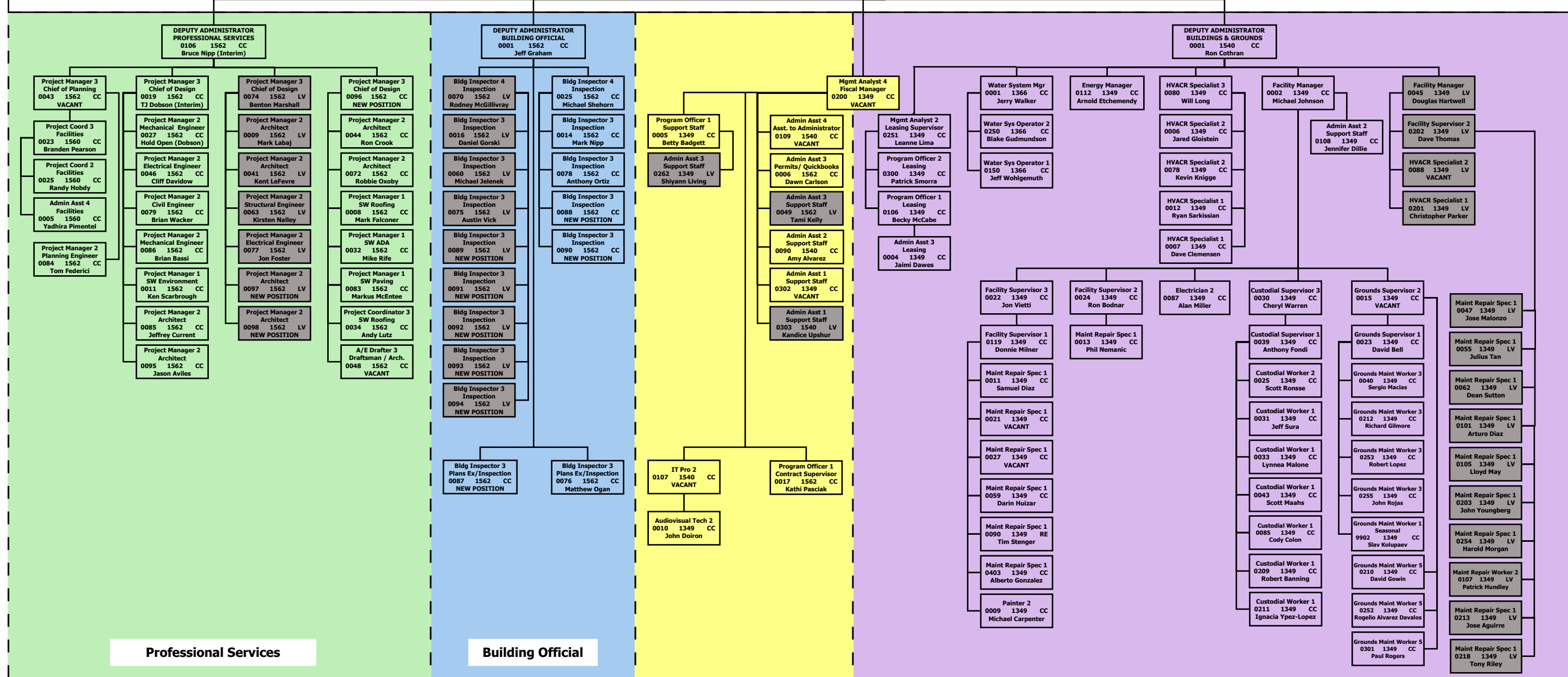
	CC	LV	Total
1349	47	15	62
1366	3	0	3
TOT	50	15	65

BUILDINGS & GROUNDS SECTION

DEPARTMENT OF ADMINISTRATION
Director Patrick Cates

STATE PUBLIC WORKS DIVISION
ADMINISTRATOR
0105 1540 CC
Ward D. Patrick PE

STATE PUBLIC WORKS DIVISION
BOARD (7) BA 1560
Bryce Clutts, Sean Stewart, Tito Tiberti,
Clint Bentley, Adam Hand, Kevin Lewis,
Director Patrick Cates



Professional Services

Building Official

DIVISION SUPPORT

BUILDINGS AND GROUNDS SECTION

PUBLIC WORKS SECTION

Current as of March 12, 2018